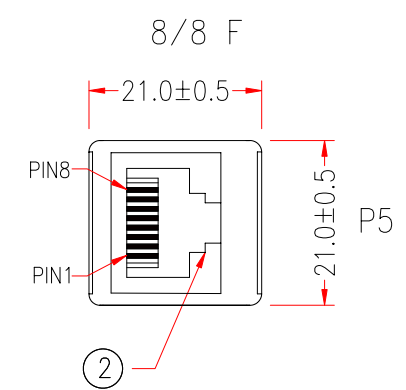
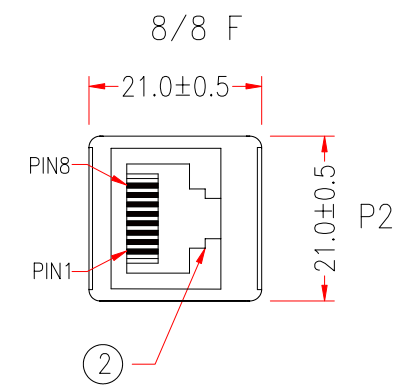
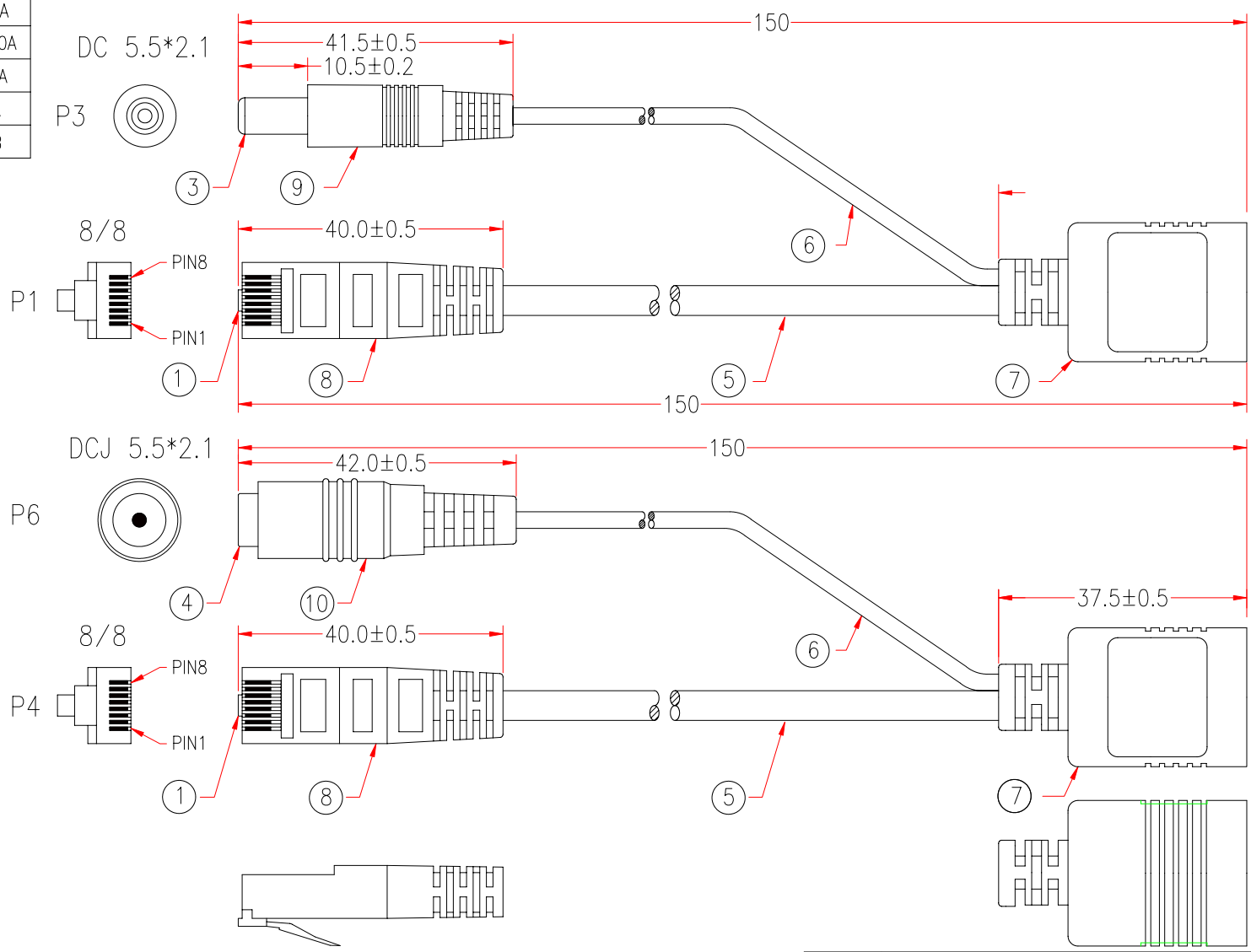


P1:P4: M-826A	
P2:P5	M-Y820A
	M-820A
P3: M-910A	
P6: M-908B	

Customer No: No.6

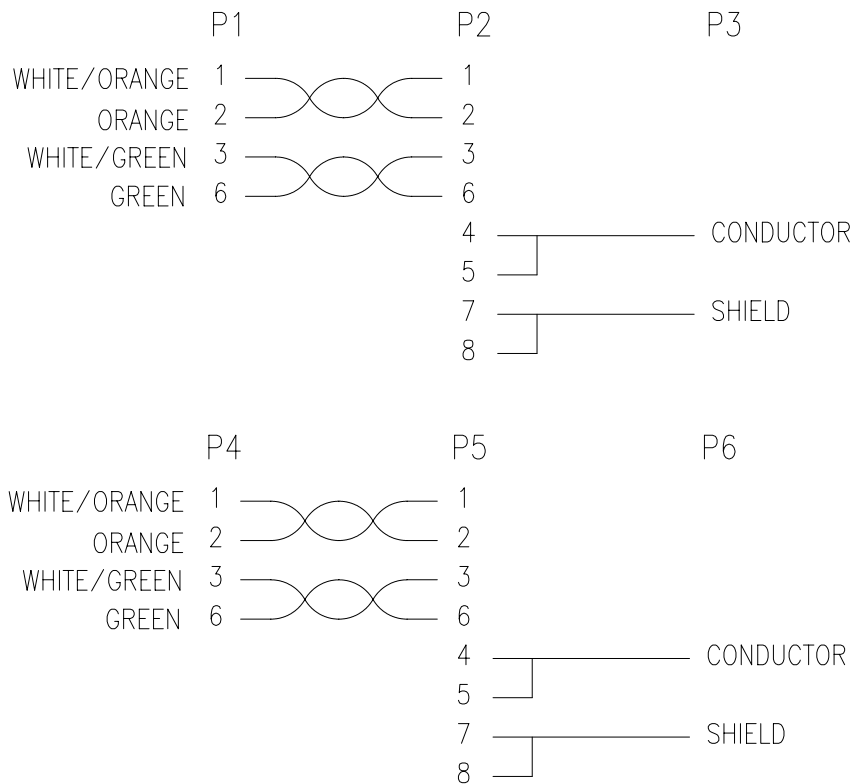


NOTE: ALL relevant materials are complied with RoHS directive

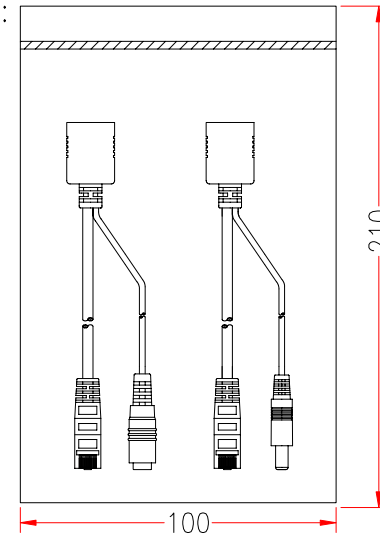
No.	DESCRIPTION		Q'TY	Supplier
PART NO. 8742-1		Revision:		Cable Length Unless Other Spec. Tolerances: 0 ~200mm ±10mm 201~1000mm ±20mm 1001 ~1500mm ±25mm 1501~2100mm ±30mm 2100mm↑ ±40mm
APPROVED				
CHECKED	HU			
DRAWING	YE			
DATE	11/FEB/09	ITEM NO.	K5470.0,15	
CHECKED			UNIT:mm	

NOTE: ALL relevant materials are complied with RoHS directive

8742-1



PACKING:



10	MOLDED PVC BEIGE		M304
9	MOLDED PVC BEIGE		M304
8	MOLDED PVC BEIGE		M304
7	NON-UL 28AWG INSULATOR WIRE, LENGTH 28mm, DRAWING No. EH002801C-016	4	M304
	MOLDED PE COLOR TRANSPARENT		TWN
	MOLDED PVC BEIGE		M304
6	NON-UL 1C SPIRAL 26AWG, OD2.5mm, JACKET BEIGE, LENGTH 130mm, DRAWING No.ECSS2601T-020	2	M304
5	2 TWISTED PAIRS CAT.5E 24AWG UTP, OD4.5mm, JACKET BEIGE LENGTH 145mm, DRAWING No. EU002402P-108	2	M304
4	DC JACK 5.5*2.1mm	1	M518
3	DC PLUG 5.5*2.1*22.5mm	1	M518
2	8P8C JACK, GOLD PLATING 6u' ON CONTACTS, COLOR BLACK, PCB TYPE	2	M22
1	8P8C MODULAR PLUG, GOLD PLATING 50u' ON CONTACTS	2	M205
No.	DESCRIPTION	Q'TY	Supplier

PART NO. 8742-1

Revision:

APPROVED

CHECKED

DRAWING

HU

YE



Cable Length Unless Other Spec. Tolerances:

0 ~200mm	±10mm
201~1000mm	±20mm
1001 ~1500mm	±25mm
1501~2100mm	±30mm
2100mm↑	±40mm

DATE 11/FEB/09 ITEM NO.

K5470.0,15

UNIT:mm

